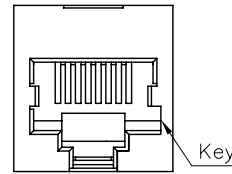


Without Key



With Key

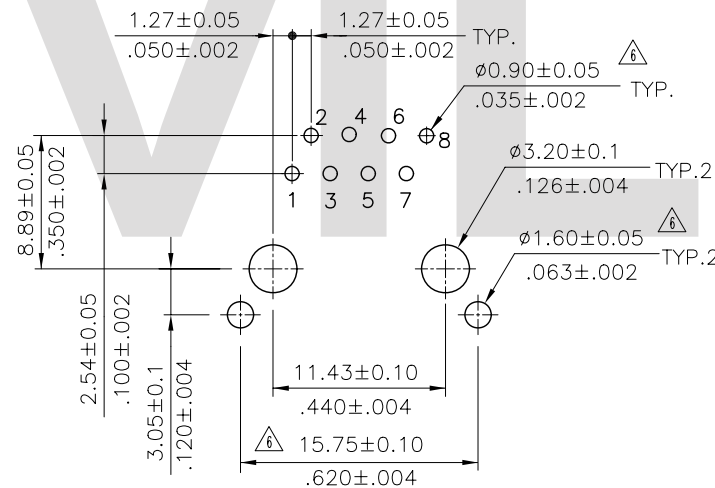
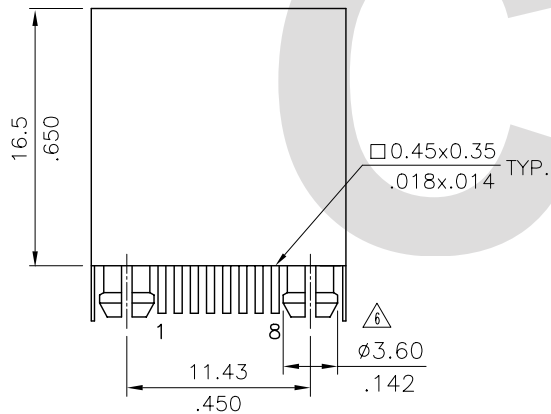
Materials :

- * Insulator : Glass filled Polyester UL 94V-0
Color Black
- * Contact : Phosphor Bronze
- △* Shield: Copper Alloy

Ordering Code:

CJ47 88 * 1 1 **
① ② ③ ④ ⑤ ⑥

- ① Series No.
- ② Contacts:
88=8P8C
- ③ Plating option:
A= Selective Gold flash plated over
1.27μm(50μ")Nickel
B= Selective 0.38μm(15μ") Gold plated
over 1.27μm(50μ") Nickel
C= Selective 0.76μm(30μ") Gold plated
over 1.27μm(50μ") Nickel
- ④ No. of port: 1= Single port
- ⑤ Insulator Color: 1= Black
- △⑥ Other options:
00= Without Key
K0= With Key



Recommended P.C. Board Layout

Lead Free Process

RoHS Compliant

CIVILUX.XORP
2008.09.16
ISSUED

△4	Sun	9/30/05'	ECR05067-0/ECN05275	DATE	UNIT: mm / inch	TITLE: 8 POSITION BOARD MOUNT TOP TYPE TELEPHONE JACK	瀚荃股份有限公司 CviLux Corporation
△3	SUN	12/24/04	ECN04515	DRAWN BY: Karen	9/10-08'	MATERIAL:	
△6	Karen	9/08/08'	ECR08069-0/ECN08434	ENGINEER: Eisley	9/11-08'	FINISH:	DRAWING NO. CJ4701SK
△5	Jim	9/7/06'	ECR06080-0/ECN06316	CHECKED BY: Alex	9/11-08'		PART NO. CJ4788*11**
SYM	NAME	DATE	REVISIONS	APPROVED BY: Alex	9/11-08'	SCALE	1 / 1
						SHEET	1 OF 1