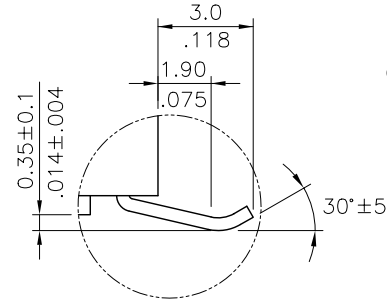


6P6C

Solder Pad Pattern



Detail "A"

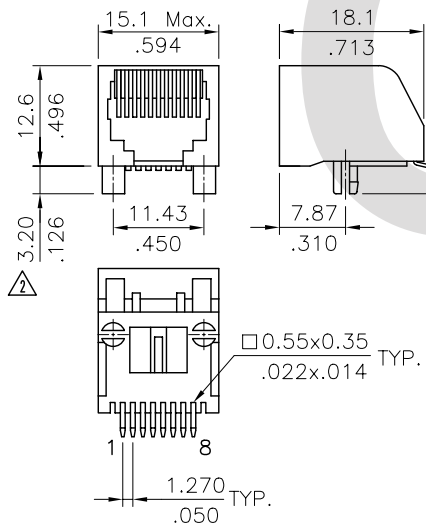
Materials :

- \* Insulator : Glass filled Polyester UL 94V-0
- \* Contact : Phosphor Bronze

Ordering Code

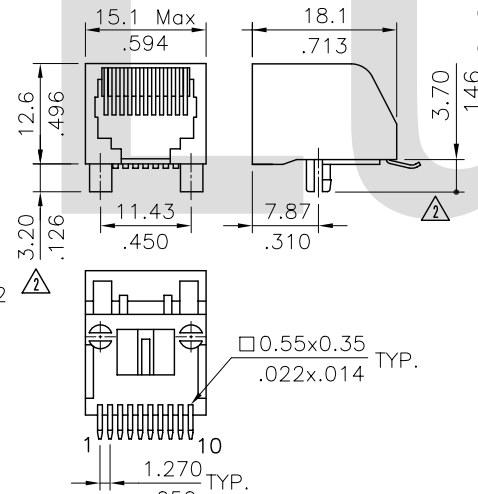
CJ31 \*\* \* 1 1 SM  
① ② ③ ④ ⑤ ⑥

- ① Series No.
- ② Contacts: 64=6P4C, 66=6P6C, 88=8P8C, AA=8P10C
- ③ Plating option:  
A= Selective 0.03μm(1.2μ") Gold flash plated over 1.27μm(50μ") Nickel  
B= Selective 0.38μm(15μ") Gold plated over 1.27μm(50μ") Nickel  
C= Selective 0.76μm(30μ") Gold plated over 1.27μm(50μ") Nickel  
E= Selective 1.27μm(50μ") Gold plated over 1.27μm(50μ") Nickel
- ④ 1= Single port
- ⑤ Insulator Color: 1= Black
- ⑥ Other options: SM= SMT Type



8P8C

Solder Pad Pattern



8P10C

Solder Pad Pattern

④							
③							
②	Karen	3/02-09'	ECN09068/ECR09007-0				
①	SUN	5/21/04'	ECN04205/ECR04047-0				
SYM	NAME	DATE	REVISIONS	APPROVED BY:	Alex	3/2-09'	

CIVILUX CORP  
2009.03.10  
ISSUED

DRAWN BY:	Karen	3/2-09'
ENGINEER:	Eisley	3/2-09'
CHECKED BY:	Eisley	3/2-09'
APPROVED BY:	Alex	3/2-09'

UNIT:	mm / inch
TOLERANCE UNLESS OTHERWISE SPECIFIED	
.X ± 0.30/.012	.X' ± 1'
.XX ± 0.20/.008	.X' ±
.XXX ± 0.08/.003	.XX' ±

TITLE:	BOARD MOUNT LOW PROFILE SMT TYPE TELEPHONE JACK
MATERIAL:	
FINISH:	

Lead Free Process      RoHS compliant

瀚荃股份有限公司  
CviLux Corporation

DRAWING NO.	CJ3103SG	PART NO.	CJ31***11SM
SCALE	1 / 1	SHEET	1 OF 1