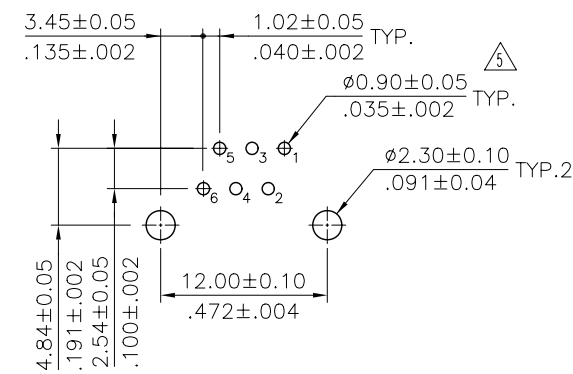


6 POSITION



Recommended PC Board Layout

Materials :

Insulator : Glass filled Polyester UL 94V-0

Contact : Phosphor Bronze

Ordering Code:

CJ12 ** 2 1 1 00
 ① ② ③ ④ ⑤ ⑥

① Series No.

② Contacts:

62= 6P2C ; 64= 6P4C

66= 6P6C ; 88= 8P8C

③ Plating option:

2= Gold flash plated over Nickel

3= 0.38µm(15µ") Gold plated over
1.27µm(50µ") Nickel

4= 0.76µm(30µ") Gold plated over
1.27µm(50µ") Nickel

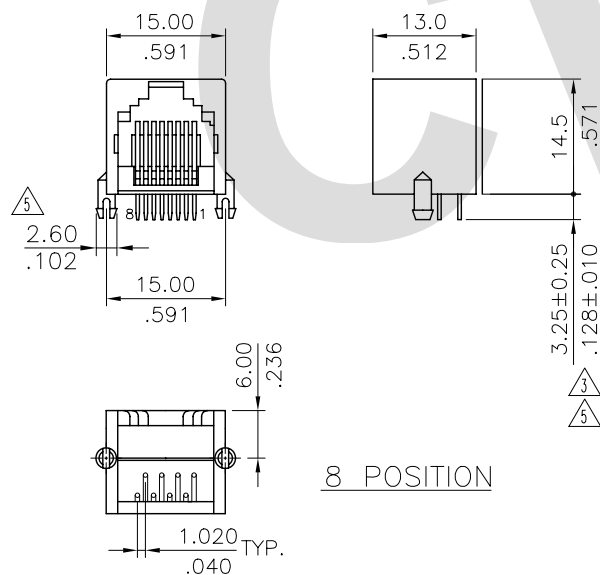
5= 1.27µm(50µ") Gold plated over
1.27µm(50µ") Nickel

7= 0.15µm(6µ") Gold plated over
1.27µm(50µ") Nickel

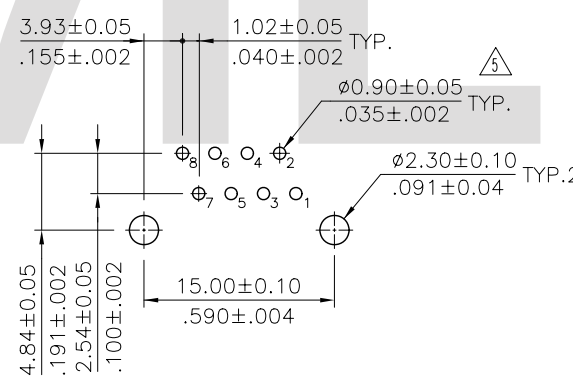
④ Ports: 1= Single port

⑤ Insulator Color: 1= Black ; 9= Gray

⑥ Other options: 00= Standard



8 POSITION



Recommended PC Board Layout

Lead Free Process

RoHS compliant

④	Sandy	12/20-07	ECN07541			DATE	UNIT: mm / inch	TITLE: BOARD MOUNT LOW PROFILE SIDE ENTRY TELEPHONE JACK	瀚荃股份有限公司 CviLux Corporation		
③	Sandy	12/11/06	ECN06413/ECRO6063-1		DRAWN BY:	Karen	9/10-08'	TOLERANCE UNLESS OTHERWISE SPECIFIED .X ± 0.30 / .012 X' ± 1" .XX ± 0.20 / .008 .X' ±		MATERIAL:	
②	SUN	3/11/04'	ECN04097		ENGINEER:	Eisley	9/11-08'			FINISH:	
⑤	Karen	9/08-08'	ECN08434/ECRO8069-0		CHECKED BY:	Alex	9/11-08'	.XXX ± 0.08 / .003 .XX' ±	DRAWING NO. CJ1201SF	PART NO.	CJ12***1*00
SYM	NAME	DATE	REVISIONS		APPROVED BY:	Alex	9/11-08'		SCALE	1 / 1	SHEET