

Materials :

Insulator : Nylon 46, UL 94V-0

Contact : Phosphor Bronze

Ordering Code:

CJ04 66 3 1 9 00-G
 ① ② ③ ④ ⑤ ⑥

① Series No.

② Contacts:

66= 6P6C ; 64= 6P4C ; 62= 6P2C

③ Plating option:

2= Gold flash plated over Nickel

3= 0.38 μ m(15 μ ") Gold plated over
1.27 μ m(50 μ ") Nickel

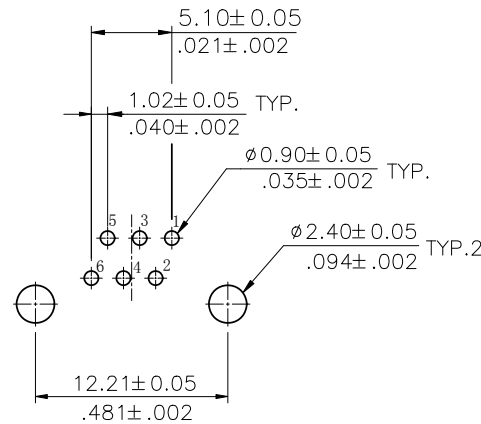
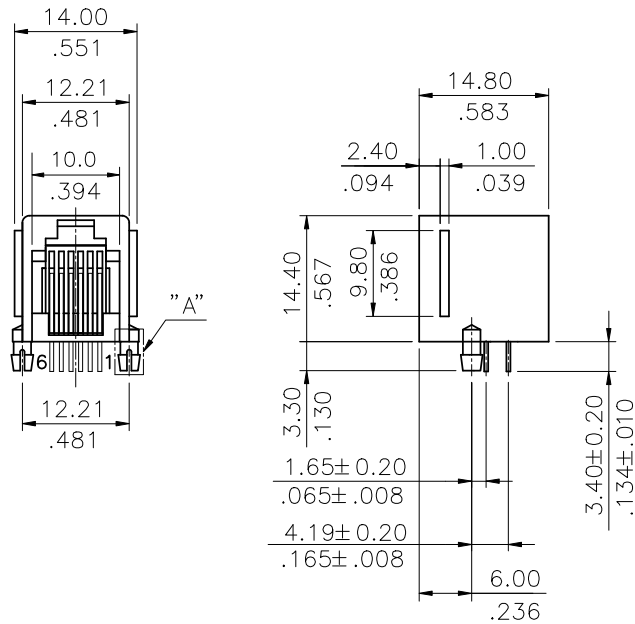
4= 0.76 μ m(30 μ ") Gold plated over
1.27 μ m(50 μ ") Nickel

5= 1.27 μ m(50 μ ") Gold plated over
1.27 μ m(50 μ ") Nickel

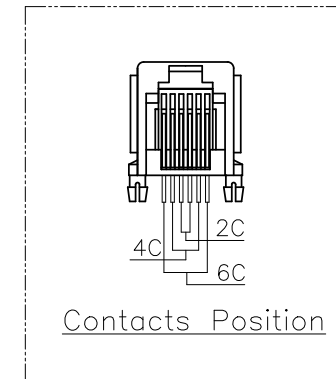
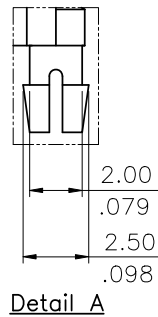
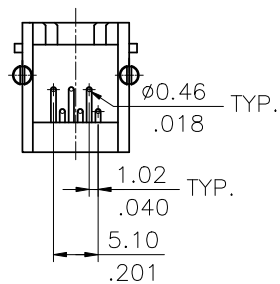
④ Ports: 1= 1 port

⑤ Insulator Color: 1= Black ; 9= Gray

⑥ Other options: 00-G= Standard




Recommended PC Board Layout



Lead Free Process

RoHS Compliant

④					DATE	UNIT: mm / inch	TITLE: BOARD MOUNT LOW PROFILE SIDE ENTRY TELEPHONE JACK	 瀚荃股份有限公司 CviLux Corporation
③					DRAWN BY: Sun	4/26-11'	MATERIAL:	
②					ENGINEER: Eisley	4/26-11'		FINISH:
①					CHECKED BY: David	4/26-11'	DRAWING NO. CJ0406SA	
SYM	NAME	DATE	REVISIONS	APPROVED BY: David	4/26-11'	.XX \pm 0.10 / .004	SCALE 1 / 1	SHEET 1 OF 1



DRAWN BY: Sun
 ENGINEER: Eisley
 CHECKED BY: David
 APPROVED BY: David

DATE: 4/26-11'
 TOLERANCE UNLESS OTHERWISE SPECIFIED
 .X \pm 0.20 / .008 X' \pm 1"
 .XX \pm 0.10 / .004 .X' \pm 0.5"
 .XXX \pm 0.05 / .001 .XX' \pm 0.3"

MATERIAL:
 FINISH:

DRAWING NO. CJ0406SA PART NO. CJ04***1*00-G
 SCALE 1 / 1 SHEET 1 OF 1