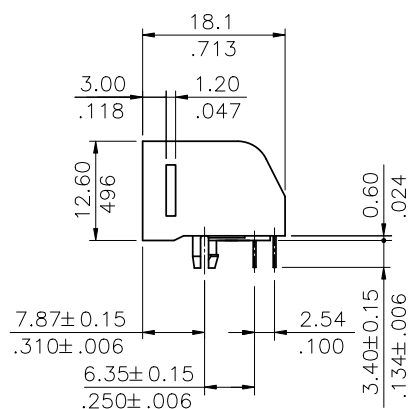
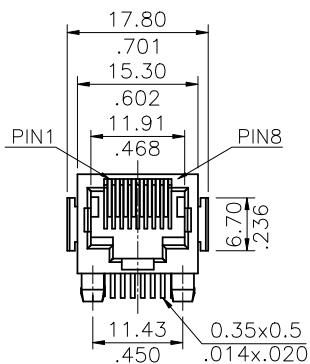
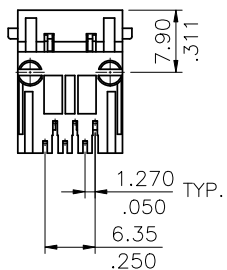
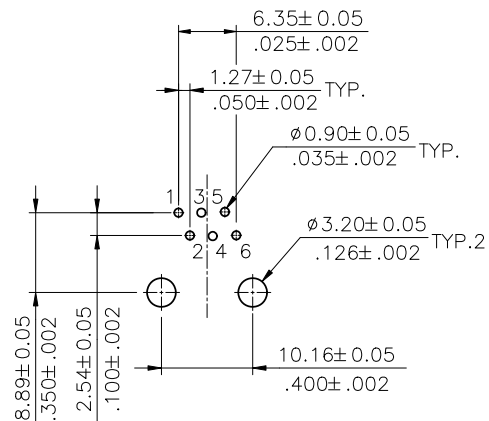
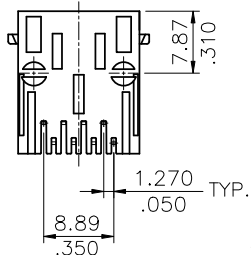


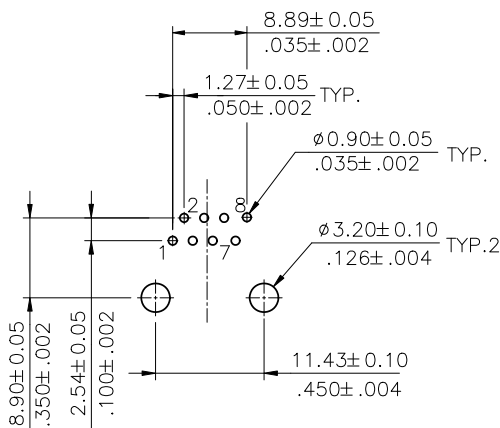
6 Position



8 Position



Recommended P.C. Board Layout



Recommended P.C. Board Layout

Materials :

Insulator : Nylon 46 UL 94V-0

Contact : Phosphor Bronze

Ordering Code:

CJ02 66 A 1 9 00-G
① ② ③ ④ ⑤ ⑥

① Series No.

② Contacts:

66= 6P6C ; 64= 6P4C ; 62= 6P2C

88= 8P8C ; 86= 8P6C ; 84= 8P4C

③ Plating option:

A= Selective 0.03μm(1.2μ") Gold flash plated over 1.27μm(50μ") Nickel

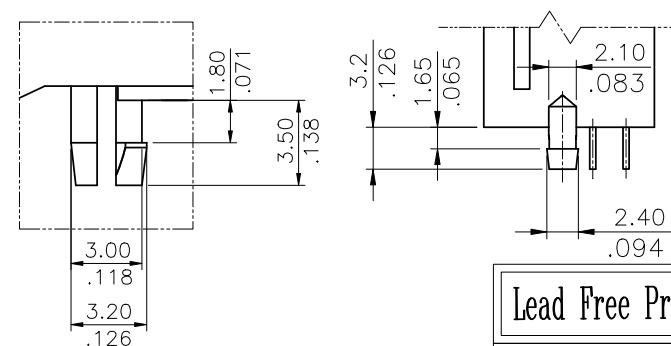
B= Selective 0.38μm(15μ") Gold plated over 1.27μm(50μ") Nickel

C= Selective 0.76μm(30μ") Gold plated over 1.27μm(50μ") Nickel

④ Ports: 1= 1 port

⑤ Insulator Color: 1= Black

⑥ Other options: 00-G= Standard



Detail A

Lead Free Process

RoHS Compliant

4				DATE	UNIT: mm / inch	TITLE: BOARD MOUNT SIDE ENTRY TELEPHONE JACK
3				DRAWN BY: Sun	4/26-11'	MATERIAL:
2				ENGINEER: Eisley	4/26-11'	
1				CHECKED BY: David	4/26-11'	FINISH:
SYM	NAME	DATE	REVISIONS	APPROVED BY: David	4/26-11'	

CVILUX.CORP.
2011.04.26
ISSUED

TOLERANCE UNLESS OTHERWISE SPECIFIED	.X ± 0.20/.008	X' ± 1'
	.XX ± 0.10/.004	.X' ±
	.XXX ± 0.05/.001	.XX ±

 瀚荃股份有限公司 CviLux Corporation			
DRAWING NO.	CJ0203SI	PART NO.	CJ02***1100-G
SCALE	1 / 1	SHEET	1 OF 1