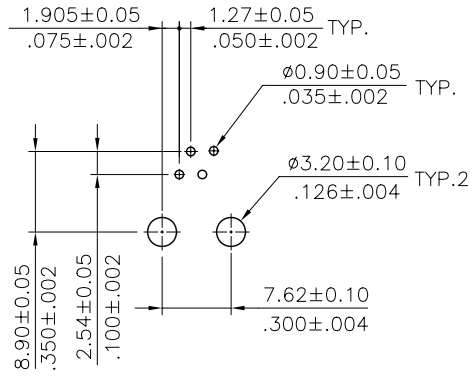


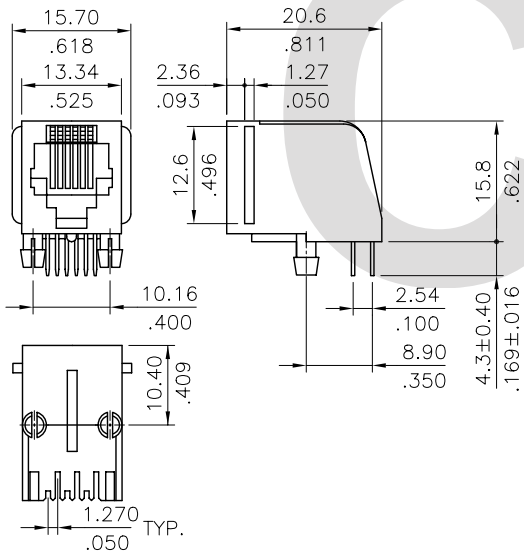
4 Position

Recommended P.C. Board Layout



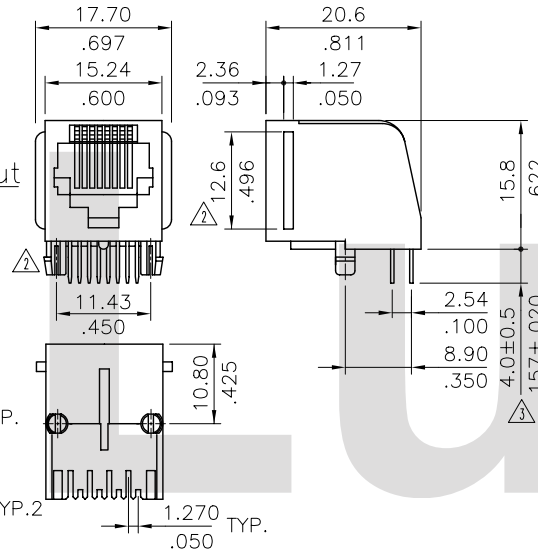
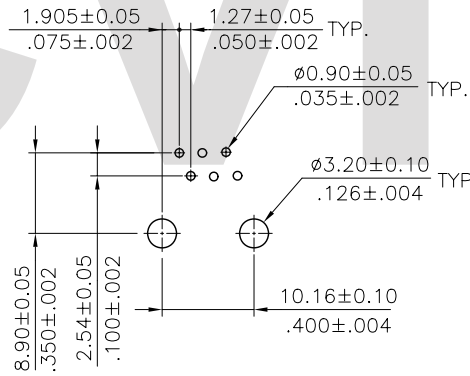
Materials :

Insulator : Glass filled Polyester UL 94V-0
 Contact : Phosphor Bronze, selective Gold plated in contact area over 100 micro-inches Nickel plated



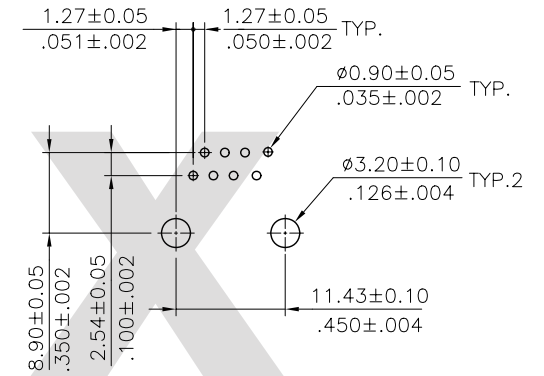
6 Position

Recommended P.C. Board Layout





8 Position

Recommended P.C. Board Layout



RoHS Compliant

4						DATE	UNIT: mm / inch	TITLE: BOARD MOUNT SIDE ENTRY TELEPHONE JACK	 瀚荃股份有限公司 CviLux Corporation		
3	Jim	12/20/06	ECR06112-0/ECN06474		DRAWN BY:	Jim	12/20 06'	MATERIAL:			
2	Jim	10/4/06	ECR06091-0/ECN06362		ENGINEER:	David	12/29 06'		FINISH:		
1	Jim	9/7/06'	ECR06080-0/ECN06316		CHECKED BY:	David	12/29 06'	DRAWING NO.		CJ0201SI	PART NO.
SYM	NAME	DATE	REVISIONS		APPROVED BY:	Alex	12/29 06'	.X ± 0.30/.012	.X* ± 1'	SCALE	1 / 1
							.XX ± 0.20/.008	.X* ±			
							.XXX ± 0.08/.003	.XX* ±			