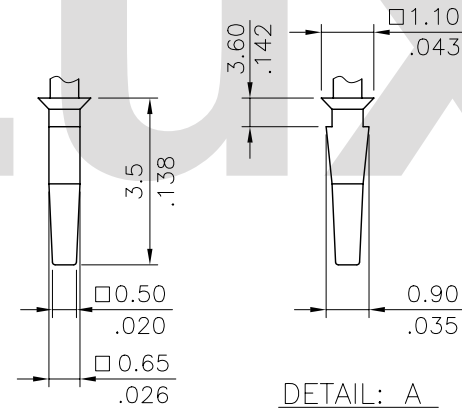
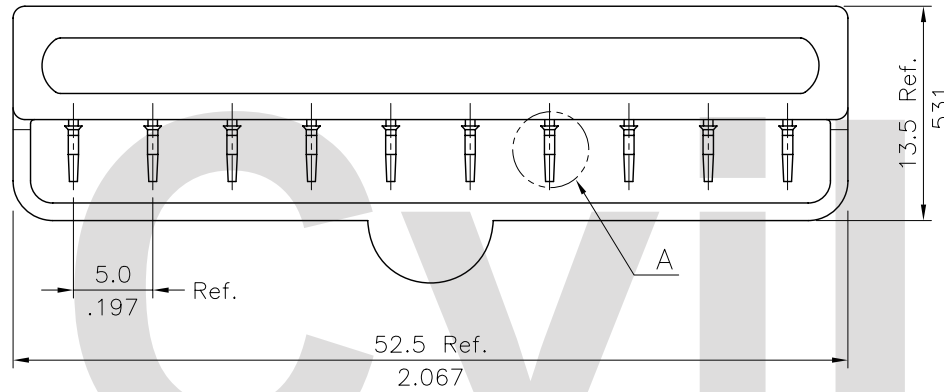


- * Material :
Glass filled polyester UL 94V-0
- * Application for CI01, CI03, CI04,
CI21, CI22, CI25 SERIES

Ordering Code:

CIPK A 10 01 1 0
 ① ② ③ ④ ⑤ ⑥

- ① Series No.
- ② Type: A= Mate with 2.0mm Pitch Housing
- ③ No. of Circuits:
- ④ Serial number:
- ⑤ Color: 0= White, 1= Black
- ⑥ Other option: 0= Standard



DETAIL: A
SCALE: 6/1

RoHS Compliant

4						DATE	UNIT: mm / inch	TITLE:	
3					DRAWN BY: Eisley	02/07-02'	TOLERANCE UNLESS OTHERWISE SPECIFIED	POLARIZATION KEY	
2					ENGINEER: David	02/07-02'	.X ± 0.20/.008 X' ± 1'	MATERIAL:	
1					CHECKED BY: David	02/07-02'	.XX ± 0.10/.004 .X' ±	FINISH:	
SYM	NAME	DATE	REVISIONS		APPROVED BY: Alex	02/07-02'	.XXX ± .XX' ±		
									DRAWING NO. CIPK05SB
									PART NO. CIPKA1001*0
									SCALE 2 / 1
									SHEET 1 OF 1