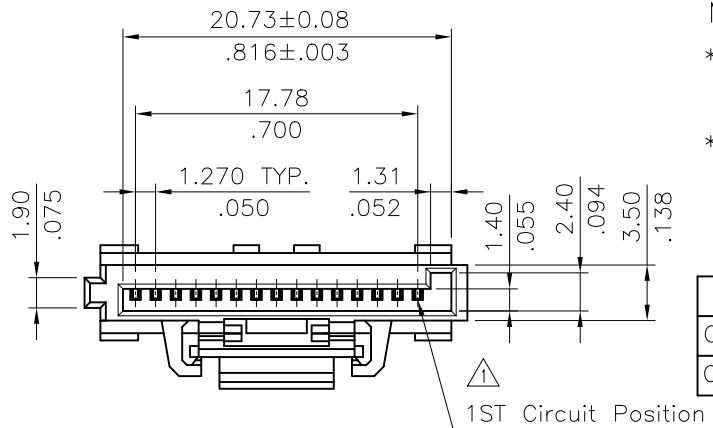


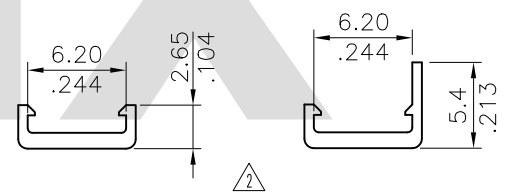
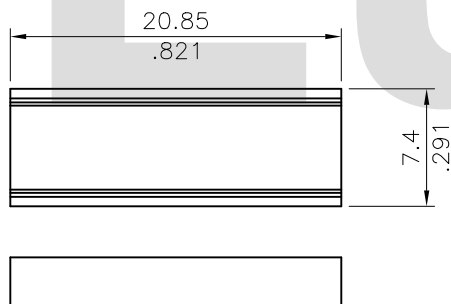
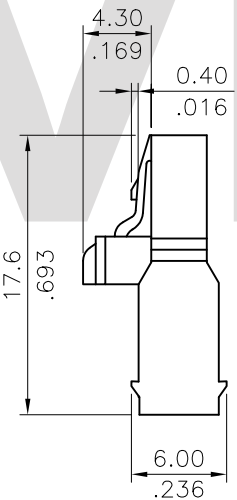
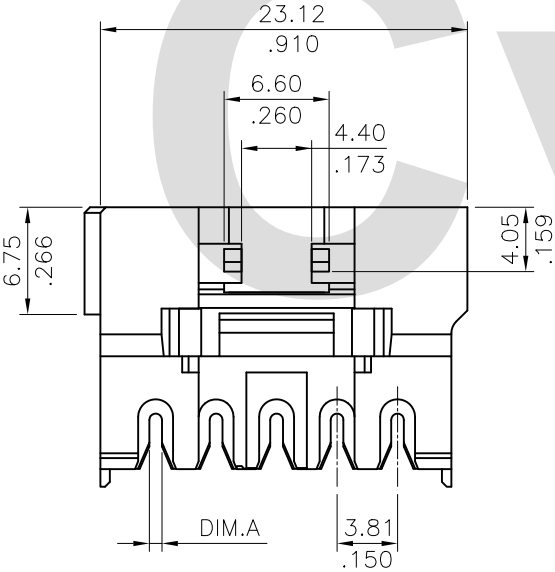
Ordering Code:

CI94 P FI A 1 A P -NH
 ① ② ③ ④ ⑤ ⑥ ⑦ ⑧

- ① Series No.
- ② P= Power
- ③ FI= Female IDC TYPE
- ④ Plating code:
 A= Selective Gold flash plated over 1.27μm(50μ") Nickel
 B= Selective 0.38μm(15μ") Gold plated over 1.27μm(50μ") Nickel
 C= Selective 0.76μm(30μ") Gold plated over 1.27μm(50μ") Nickel
- ⑤ Color: 1= Black
- ⑥ Type: A= Accept AWG#18
 B= Accept AWG#20~#22
- ⑦ Other option: P= With Plastic Latch
- ⑧ -NH= Halogen-Free



P/N	DIM.A	Accept wire gage
CI94PFI*1AP-NH	0.75	AWG #18
CI94PFI*1BP-NH	0.60	AWG #20~#22



P/N:CI94PFIC010-NH (Through Cover) P/N:CI94PFIC011-NH (One End Cover)

Halogen-Free
RoHS Compliant

④					DATE	UNIT: mm / inch	TITLE: SERIAL ATA POWER IDC TYPE RECEPTACLE CONN.(PLASTIC LATCH)	瀚荃股份有限公司 CviLux Corporation	
③					DRAWN BY: Sandy	TOLERANCE UNLESS OTHERWISE SPECIFIED	MATERIAL:		
②	Sandy	4/29-14'	ECNT114076	<div style="border: 2px solid red; border-radius: 50%; padding: 5px; display: inline-block;"> CVILUX CORP 2014.05.09 ISSUED </div>	ENGINEER: Eisley	.X ± 0.30/.012 .X* ± 1"	FINISH:	DRAWING NO. CI9426SC	
①	Sandy	11/10-10'	ECN10365		CHECKED BY: Eisley	4/30-14'	.XX ± 0.20/.008 .X* ±	SCALE 2 / 1	PART NO. CI94PFI*1*P-NH
SYM	NAME	DATE	REVISIONS		APPROVED BY: David	4/30-14'	.XXX ± 0.10/0.04 .XX* ±	SHEET 1 OF 1	