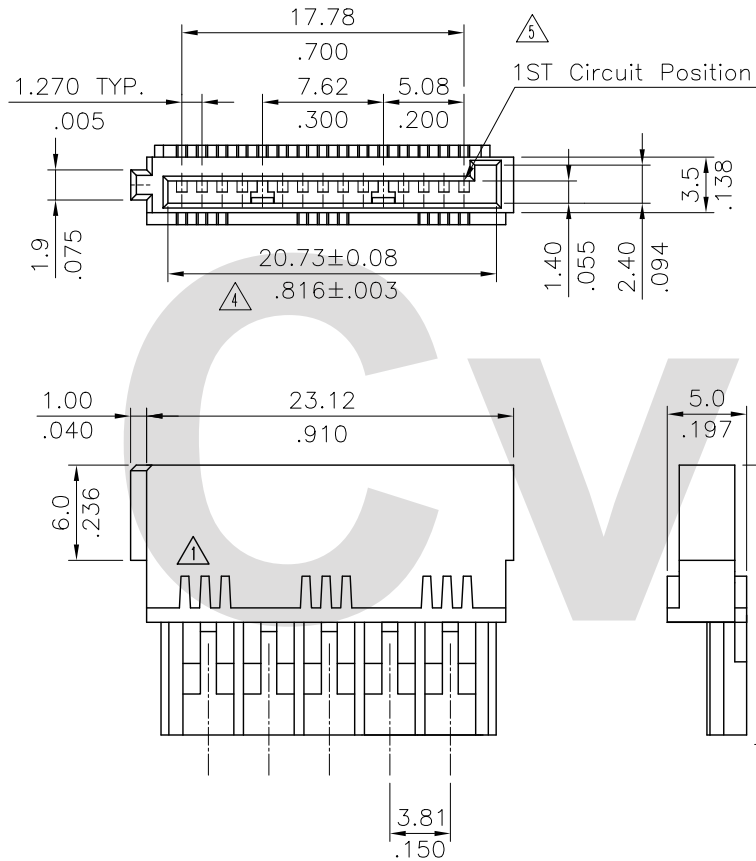


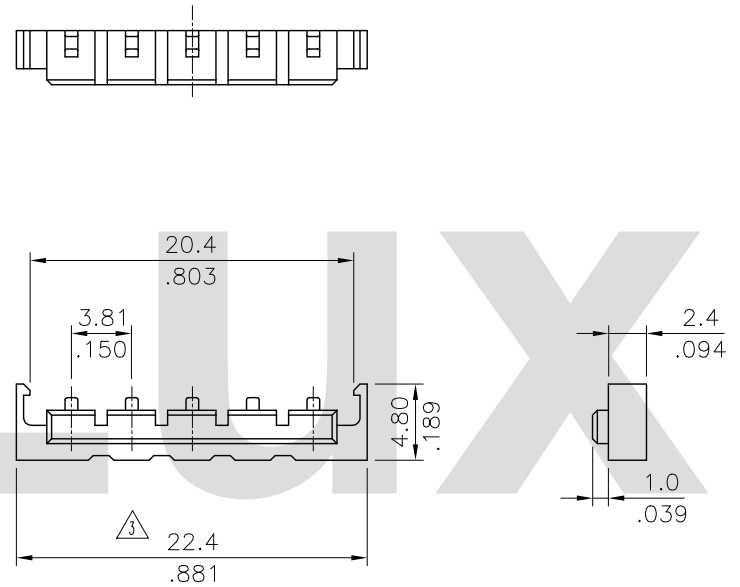
△ Material:

- * CI94PFM001B: PBT + 30% GF. UL 94V-0, Color Black
- * CI94PFM000C: PBT + 15% GF. UL 94V-0, Color Nature



P/N CI94PFM001B



P/N CI94PFM000C



RoHS Compliant

△5	Sandy	11/10-10	ECN10365	 2010.11.30 ISSUED		DATE	UNIT: mm / inch	TITLE: SERIAL ATA POWER MOLDING TYPE HOUSING & COVER (CRIMP TYPE)	 瀚荃股份有限公司 CviLux Corporation	
△4	Sandy	12/11-08	ECN08607		DRAWN BY: Sandy	11/11-10'	TOLERANCE UNLESS OTHERWISE SPECIFIED			MATERIAL:
△3	Sandy	12/27-07	ECN07551/ECR07106-1		ENGINEER: Clark	11/23-10'	.X ± 0.30/.012 X' ± 1'	FINISH:		
△2	Sun	7/11/05'	ECN05232		CHECKED BY: David	11/23-10'	.XX ± 0.20/.010 .X' ±			
SYM	NAME	DATE	REVISIONS		APPROVED BY: David	11/23-10'	.XXX ± 0.10/0.04 .XX' ±			
									DRAWING NO. CI9409SF	PART NO. CI94PFM001B CI94PFM000C
									SCALE 2 / 1	SHEET 1 OF 1