

Material:

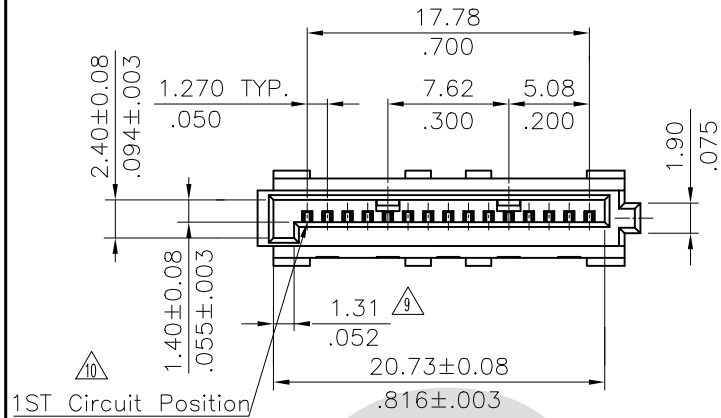
\* Insulation: PBT+30%GF. UL 94V-0, Color Black

\* Contact: Phosphor Bronze

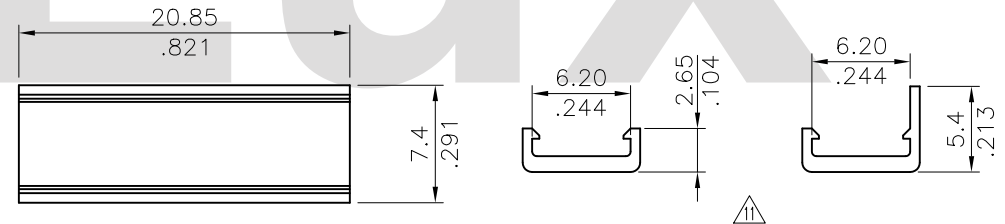
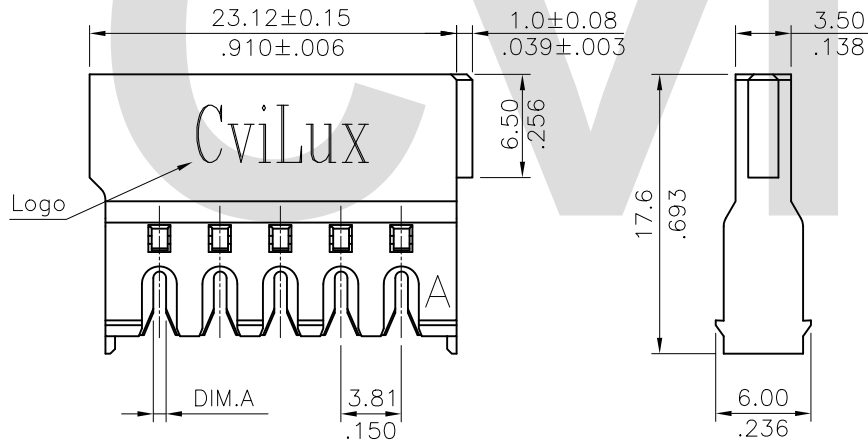
Ordering Code:

CI94 P FI A 1 A0  
 ① ② ③ ④ ⑤ ⑥

- ① Series No.
- ② P= Power
- ③ FI= Female IDC TYPE
- ④ Plating code:  
 A= Selective Gold flash plated over 1.27μm(50μ") Nickel  
 B= Selective 0.38μm(15μ") Gold plated over 1.27μm(50μ") Nickel  
 C= Selective 0.76μm(30μ") Gold plated over 1.27μm(50μ") Nickel
- ⑤ Color: 1= Black
- ⑥ Other option: A0= Accept AWG#18 wire  
 B0= Accept AWG#20~#22 wire



P/N	DIM.A	Accept wire gage
CI94PFIA1A0	0.75	AWG #18
CI94PFIA1B0	0.60	AWG #20~#22



P/N:CI94PFIC010  
 (Through Cover)

P/N:CI94PFIC011  
 (One End Cover)

Tin-Lead Process

RoHS Compliant

SYM	NAME	DATE	REVISIONS	APPROVED BY:	DATE	UNIT: mm / inch	TITLE: SERIAL ATA POWER IDC TYPE RECEPTACLE CONN.
△11	Sandy	4/29-14'	ECNT114076			UNIT: mm / inch	MATERIAL:
△10	Sandy	11/10-10'	ECN10365	DRAWN BY: Sandy	4/29-14'	TOLERANCE UNLESS OTHERWISE SPECIFIED	
△9	Hank	1/20-09'	ECN09030	ENGINEER: Eisley	4/30-14'	.X ± 0.30/.012 X: ± 1"	FINISH:
△8	Sansy	12/11-08'	ECN08607	CHECKED BY: Eisley	4/30-14'	.XX ± 0.20/.008 X: ±	
				APPROVED BY: David	4/30-14'	.XXX ± 0.10/0.04 XX: ±	



瀚荃股份有限公司  
 CviLux Corporation

DRAWING NO.	CI9406SM	PART NO.	CI94PFI*1*0
SCALE	2 / 1	SHEET	1 OF 1

