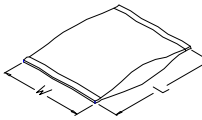


PACKING STANDARD

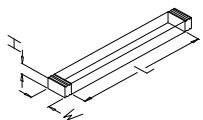
SERIES OR P/N	CIRCUITS	PACKING METHOD CODE	INNER PACKING NO.	INNER PACKING SIZE (CM)			INNER PACKING QTY	INSIDE CARTON NO.	INSIDE CARTON SIZE (CM)			PCS / INSIDE CARTON	CARTON NO.	CARTON SIZE (CM)			PCS / CARTON	G.W REF. (KG)
				L/D	W	H			L	W	H			L	W	H		
CH34022V1**	2	A	PACK-PBC003	25.00	16.00	0.08	2000						PACK-CTC002-C	34.5	26.0	25.3	48000	
CH34032V1**	3	A	PACK-PBC003	25.00	16.00	0.08	1000						PACK-CTC002-C	34.5	26.0	25.3	30000	
CH34042V1**	4	A	PACK-PBC003	25.00	16.00	0.08	1000						PACK-CTC002-C	34.5	26.0	25.3	27000	
CH34052V1**	5	A	PACK-PBC003	25.00	16.00	0.08	1000						PACK-CTC002-C	34.5	26.0	25.3	24000	
CH34062V1**	6	A	PACK-PBC003	25.00	16.00	0.08	1000						PACK-CTC002-C	34.5	26.0	25.3	21000	
CH34072V1**	7	A	PACK-PBC003	25.00	16.00	0.08	500						PACK-CTC002-C	34.5	26.0	25.3	19500	
CH34082V1**	8	A	PACK-PBC003	25.00	16.00	0.08	500						PACK-CTC002-C	34.5	26.0	25.3	18000	
CH34092V1**	9	A	PACK-PBC003	25.00	16.00	0.08	500						PACK-CTC002-C	34.5	26.0	25.3	16500	
CH34102V1**	10	A	PACK-PBC003	25.00	16.00	0.08	500						PACK-CTC002-C	34.5	26.0	25.3	15000	
CH34112V1**	11	A	PACK-PBC003	25.00	16.00	0.08	500						PACK-CTC002-C	34.5	26.0	25.3	13500	
CH34122V1**	12	A	PACK-PBC003	25.00	16.00	0.08	500						PACK-CTC002-C	34.5	26.0	25.3	12000	
CH34132V1**	13	A	PACK-PBC003	25.00	16.00	0.08	500						PACK-CTC002-C	34.5	26.0	25.3	10500	
CH34142V1**	14	A	PACK-PBC003	25.00	16.00	0.08	500						PACK-CTC002-C	34.5	26.0	25.3	9000	
CH34152V1**	15	A	PACK-PBC003	25.00	16.00	0.08	500						PACK-CTC002-C	34.5	26.0	25.3	7500	
CH34162V1**	16	A	PACK-PBC003	25.00	16.00	0.08	250						PACK-CTC002-C	34.5	26.0	25.3	7500	
CH34172V1**	17	A	PACK-PBC003	25.00	16.00	0.08	250						PACK-CTC002-C	34.5	26.0	25.3	6750	
CH34182V1**	18	A	PACK-PBC003	25.00	16.00	0.08	250						PACK-CTC002-C	34.5	26.0	25.3	6000	
CH34192V1**	19	A	PACK-PBC003	25.00	16.00	0.08	250						PACK-CTC002-C	34.5	26.0	25.3	6000	
CH34202V1**	20	A	PACK-PBC003	25.00	16.00	0.08	250						PACK-CTC002-C	34.5	26.0	25.3	5250	
CH34212V1**	21	A	PACK-PBC003	25.00	16.00	0.08	250						PACK-CTC002-C	34.5	26.0	25.3	5250	
CH34222V1**	22	A	PACK-PBC003	25.00	16.00	0.08	250						PACK-CTC002-C	34.5	26.0	25.3	5250	
CH34232V1**	23	A	PACK-PBC003	25.00	16.00	0.08	250						PACK-CTC002-C	34.5	26.0	25.3	4750	
CH34242V1**	24	A	PACK-PBC003	25.00	16.00	0.08	250						PACK-CTC002-C	34.5	26.0	25.3	4750	
CH34252V1**	25	A	PACK-PBC002	29.00	23.00	0.08	250						PACK-CTC002-C	34.5	26.0	25.3	4750	
CH34262V1**	26	A	PACK-PBC002	29.00	23.00	0.08	250						PACK-CTC002-C	34.5	26.0	25.3	4750	
CH34272V1**	27	A	PACK-PBC002	29.00	23.00	0.08	250						PACK-CTC002-C	34.5	26.0	25.3	4000	
CH34282V1**	28	A	PACK-PBC002	29.00	23.00	0.08	250						PACK-CTC002-C	34.5	26.0	25.3	4000	

PACKING METHOD (包裝方式) :

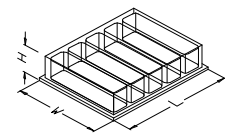
1 PVC BAG (塑膠袋)
SIZE = L * W



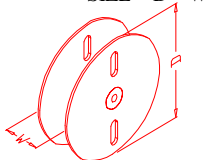
2 TUBE (塑膠管)
SIZE = L * W * H



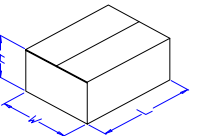
3 PVC TRAY (塑膠盒)
SIZE = L * W * H



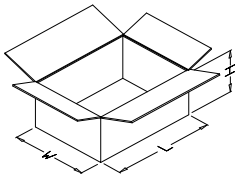
4 REEL (紙盤)
SIZE = D * W



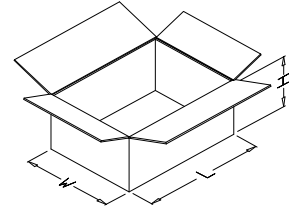
5 BOX (內紙盒)
SIZE = L * W * H



6 INSIDE CARTON (內箱)
SIZE = L * W * H



7 OUTSIDE CARTON (外箱)
SIZE = L * W * H



PACKING METHOD CODE (包裝方式代碼) :

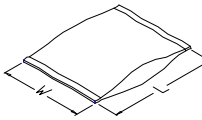
A = 1	7
B = 2	7
C = 3	7
D = 4	7
E = 5	7
E = 5	7
G = 2	6 7
H = 3	6 7

PACKING STANDARD

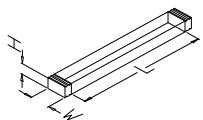
SERIES OR P/N	CIRCUITS	PACKING METHOD CODE	INNER PACKING NO.	INNER PACKING SIZE (CM)			INNER PACKING QTY	INSIDE CARTON NO.	INSIDE CARTON SIZE (CM)			PCS / INSIDE CARTON	CARTON NO.	CARTON SIZE (CM)			PCS / CARTON	G.W REF. (KG)
				L/D	W	H			L	W	H			L	W	H		
CH34292V1**	29	A	PACK-PBC002	29.0	23.0	0.08	250					PACK-CTC002-C	34.5	26.0	25.3	3250		
CH34302V1**	30	A	PACK-PBC002	29.0	23.0	0.08	250					PACK-CTC002-C	34.5	26.0	25.3	3250		
CH34312V1**	31	A	PACK-PBC002	29.0	23.0	0.08	250					PACK-CTC002-C	34.5	26.0	25.3	3250		
CH34322V1**	32	A	PACK-PBC002	29.0	23.0	0.08	250					PACK-CTC002-C	34.5	26.0	25.3	3250		
CH34332V1**	33	A	PACK-PBC002	29.0	23.0	0.08	250					PACK-CTC002-C	34.5	26.0	25.3	2500		
CH34342V1**	34	A	PACK-PBC002	29.0	23.0	0.08	250					PACK-CTC002-C	34.5	26.0	25.3	2500		
CH34352V1**	35	A	PACK-PBC002	29.0	23.0	0.08	250					PACK-CTC002-C	34.5	26.0	25.3	2500		
CH34362V1**	36	A	PACK-PBC002	29.0	23.0	0.08	250					PACK-CTC002-C	34.5	26.0	25.3	2500		
CH34372V1**	37	A	PACK-PBC002	29.0	23.0	0.08	250					PACK-CTC002-C	34.5	26.0	25.3	2250		
CH34382V1**	38	A	PACK-PBC002	29.0	23.0	0.08	250					PACK-CTC002-C	34.5	26.0	25.3	2250		
CH34392V1**	39	A	PACK-PBC002	29.0	23.0	0.08	250					PACK-CTC002-C	34.5	26.0	25.3	2250		
CH34402V1**	40	A	PACK-PBC002	29.0	23.0	0.08	250					PACK-CTC002-C	34.5	26.0	25.3	2250		

PACKING METHOD (包裝方式) :

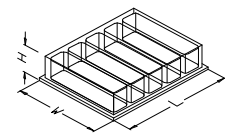
1 PVC BAG (塑膠袋)
SIZE = L * W



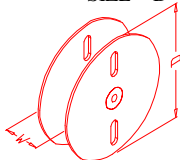
2 TUBE (塑膠管)
SIZE = L * W * H



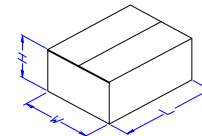
3 PVC TRAY (塑膠盒)
SIZE = L * W * H



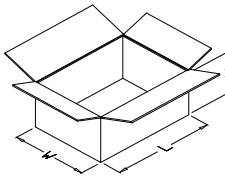
4 REEL (紙盤)
SIZE = D * W



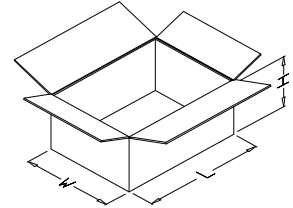
5 BOX (內紙盒)
SIZE = L * W * H



6 INSIDE CARTON (內箱)
SIZE = L * W * H



7 OUTSIDE CARTON (外箱)
SIZE = L * W * H



PACKING METHOD CODE (包裝方式代碼) :

A = 1	7
B = 2	7
C = 3	7
D = 4	7
E = 5	7
E = 5	7
G = 2	6 7
H = 3	6 7