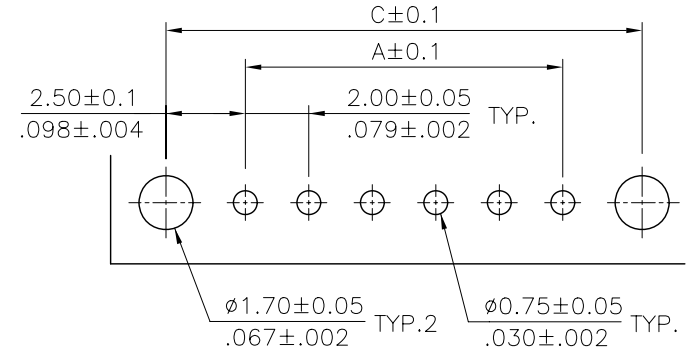
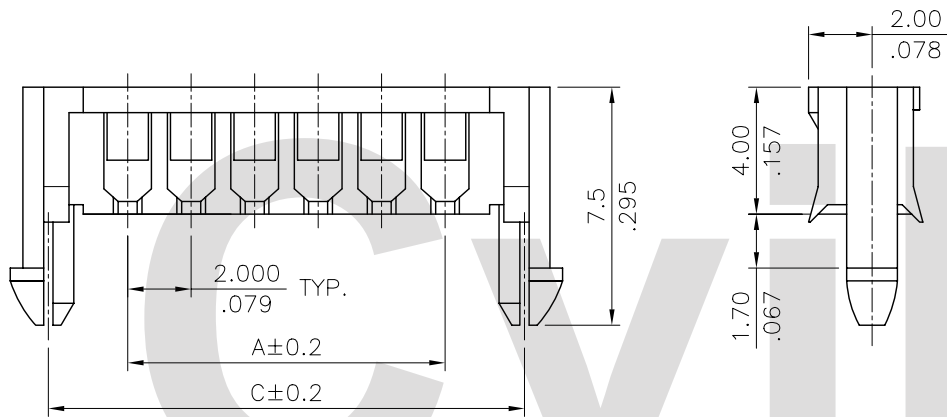
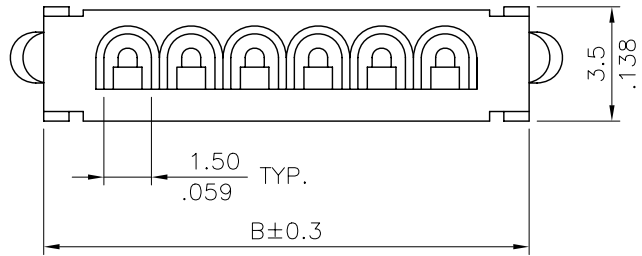


* Material: Polyester UL 94V-0
Color Nature



Recommended P.C. Board Layout

A = 2.0 * No. of Spaces

B = A + 5.3

C = A + 5.0

* Available in 2 through 18 circuits

| ACCOMMODATED WIRE SIZE: AWG#26~#28 | | |
|------------------------------------|------------|--------------|
| Discrete Wire | Flat Cable | Ribbon Cable |
| | | |

RoHS Compliant

| | | | | | | | | | | | | | | |
|-------|-----|-------|------|--------------|--|--------------|-------|-----------|-------------|--|----------|-------------------------------------|-------------|--------------------------------|
| | SYM | NAME | DATE | REVISIONS | | DRAWN BY: | Sandy | DATE | 03/16-99' | UNIT: mm / inch TOLERANCE UNLESS OTHERWISE SPECIFIED .X ± 0.30/.012 X' ± 1" .XX ± 0.20/.008 .X' ± .XXX ± 0.10/.004 .XX' ± | TITLE: | 2.00MM(.079") WIRE HOLDER CONNECTOR | | 瀚荃股份有限公司 CviLux Corporation |
| | | | | | | ENGINEER: | Sandy | 03/16-99' | MATERIAL: | | | | | |
| | | | | | | CHECKED BY: | Alex | 03/16-99' | FINISH: | | | | | |
| | | | | | | APPROVED BY: | Alex | 03/16-99' | DRAWING NO. | | CI9001SC | PART NO. | CI90**SB000 | |
| SCALE | | 4 / 1 | | SHEET 1 OF 1 | | | | | | | | | | |