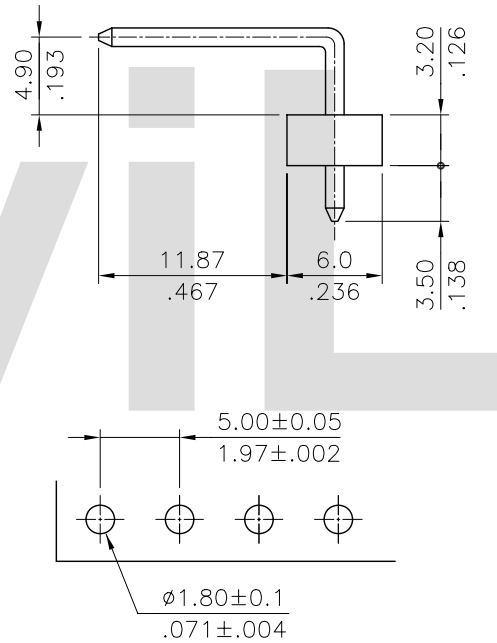


A = 5.00 * No. of Spaces

B = A + 5.00

* Available in 2 through 20 circuits



Recommended P.C. Board Layout

Material:

* Insulation: Glass filled polyester UL 94V-0

* Contact: Brass

Ordering Code:

CI78 ** P 1 H 00
 ① ② ③ ④ ⑤ ⑥

- ① Series No.
CI79= 5.0mm center spacing
- ② No. of Circuits
- ③ Contact type: P= Pin header
- ④ Plating option:
 1= 3.05μm(120μ") Min. Tin over 0.76μm(30μ") Nickel
 2= Gold flash plated over 1.27μm(50μ") Nickel
 3= 0.38μm(15μ") Gold plated over 1.27μm(50μ") Nickel
 4= 0.76μm(30μ") Gold plated over 1.27μm(50μ") Nickel
- ⑤ Tail Style: H= Right angle
- ⑥ Option: 00= Color White(Nature)

RoHS Compliant

4						DATE	UNIT: mm / inch	TITLE: 5.00MM(.197")	瀚荃股份有限公司 CviLux Corporation
3			DRAWN BY: Betty		09/28-01'	TOLERANCE UNLESS OTHERWISE SPECIFIED	BOARD MOUNT PIN HEADER	MATERIAL:	
2			ENGINEER: David		09/28-01'	.X ± 0.38/.015 X' ± r	FINISH:		
1			CHECKED BY: David		09/28-01'	.XX ± 0.25/.010 .X' ±		DRAWING NO. CI7802SC	PART NO. CI78**P1H00
SYM	NAME	DATE	REVISIONS		APPROVED BY: Alex	09/28-01'	.XXX ± 0.10/.004 .XX' ±	SCALE 2 / 1	SHEET 1 OF 1