

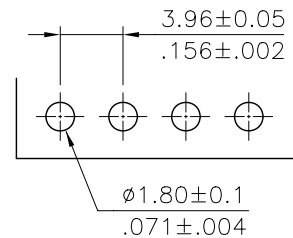
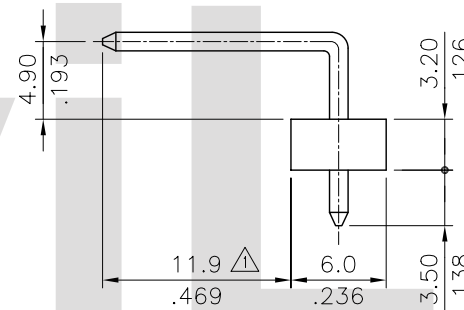
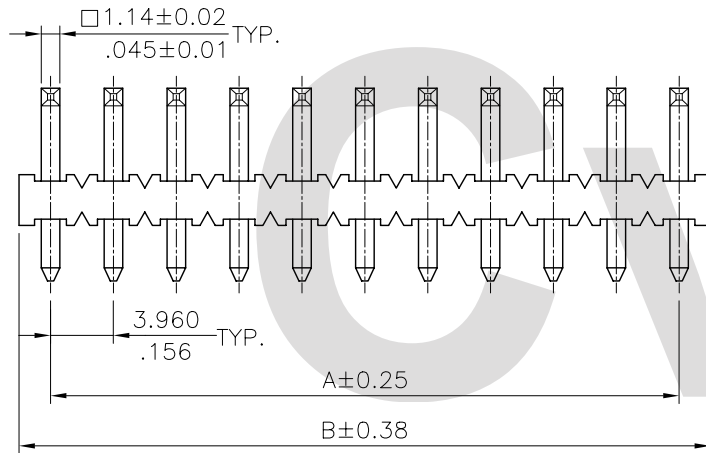
Material:

- * Insulation: Glass filled polyester UL 94V-0
- * Contact: Brass

Ordering Code:

$\frac{CI77}{①}$
 $\frac{**}{②}$
 $\frac{P}{③}$
 $\frac{1}{④}$
 $\frac{H}{⑤}$
 $\frac{00}{⑥}$

- ① Series No.
CI77= 3.96mm center spacing
- ② No. of Circuits
- ③ Contact type: P= Pin header
- ④ Plating option:
 1= 3.05 μ m(120 μ "") Min. Tin over 0.76 μ m(30 μ "") Nickel
 2= Gold flash plated over 1.27 μ m(50 μ "") Nickel
 3= 0.38 μ m(15 μ "") Gold plated over 1.27 μ m(50 μ "") Nickel
 4= 0.76 μ m(30 μ "") Gold plated over 1.27 μ m(50 μ "") Nickel
- ⑤ Tail Style: H= Right angle
- ⑥ Option: 00= Color White(Nature)
10= Color Black



$A = 3.96 * \text{No. of Spaces}$
 $B = A + 3.96$
 * Available in 2 through 20 circuits

Recommended P.C. Board Layout

RoHS Compliant

CVILUX.XORP
 2008.06.17
 ISSUED

4																			
3																			
2																			
1	Sun	6/05-08'	ECR08059-1/ECN08265	CHECKED BY:	David	6/10-08'													
SYM	NAME	DATE	REVISIONS	APPROVED BY:	Alex	6/10-08'													
							UNIT: mm / inch	TOLERANCE UNLESS OTHERWISE SPECIFIED		TITLE: 3.96MM(.156") BOARD MOUNT PIN HEADER									
							.X ± 0.38/.015	X* ± 1'		MATERIAL:									
							.XX ± 0.25/.010	.X* ±		FINISH:									
							.XXX ± 0.10/.004	.XX* ±				DRAWING NO.	CI7702SD	PART NO.	CI77**P1H*0				
											SCALE	2 / 1	SHEET	1 OF 1					


 瀚荃股份有限公司
 CviLux Corporation